

MOUNDRIDGE TELEPHONE COMPANY.

RATES, TERMS AND CONDITIONS  
July 1, 2017

WIRELIN BROADBAND INTERNET TRANSPORT SERVICE

RATES, TERMS AND CONDITIONS  
APPLICABLE TO  
WHOLESALE WIRELIN BROADBAND INTERNET TRANSPORT SERVICE  
FURNISHED BY

**MOUNDRIDGE TELEPHONE COMPANY**

109 N. CHRISTIAN AVENUE  
MOUNDRIDGE, KS 67107

ILEC Study Area Code 411808  
FCC 499 Filer I.D. 803364

FOR SERVICES  
AS PROVIDED FOR HEREIN.

EFFECTIVE JULY 1, 2016

## WIRELINE BROADBAND INTERNET TRANSPORT SERVICE

**TABLE OF CONTENTS****Section 1: General**

- 1.1 Application of Rates, Terms and Conditions
- 1.2 Definitions

**Section 2: Terms and Conditions**

- 2.1 Undertaking of the Company
  - 2.1.A Scope
  - 2.1.B Limitations
- 2.2 Obligations of the Customer
- 2.3 Liabilities of the Company
- 2.4 Application for Service
- 2.5 Executed Agreements
  - 2.5.A Agreement
  - 2.5.B Technical Standards Supplement (“TS Supplement”)
- 2.6 Charges and Payments for Service or Facilities
  - 2.6.A Deposits
  - 2.6.B Description of Payment and Billing Periods
  - 2.6.C Taxes and Other Charges
  - 2.6.D Payment and Late Payment Charge
  - 2.6.E Credit Allowance/Service Interruptions
  - 2.6.F Service Interruption Measurement
- 2.7 Termination or Denial of Service by the Company
- 2.8 Billing Disputes

**Section 3: Description of Service**

- 3.1 General
  - 3.1.A Ethernet Transport Service Connection
  - 3.1.B Designated End User Premises
- 3.2 Service Options
- 3.3 WBITS Provisioning
  - 3.3.A Responsibility of the Company
  - 3.3.B Responsibility of the Customer
- 3.4 Rate Regulations
  - 3.4.A Rate Elements
  - 3.4.B Rate Application
  - 3.4.C Minimum Period
  - 3.4.D Moves
  - 3.4.E WBITS Term and Volume Plan Rates
  - 3.4.F Monthly Transfer Limitations
  - 3.4.G Individual Case Basis (“ICB”) Offerings

**Section 4: Rates and Charges**

- 4.1 WBITS Network Reconfiguration Charge
- 4.2 WBITS Monthly Recurring and Nonrecurring Line Charges

## WIRELINE BROADBAND INTERNET TRANSPORT SERVICE

**1. General****1.1 Application of Rates, Terms and Conditions**

- 1.1.A MOUNDRIDGE TELEPHONE COMPANY, incumbent local exchange carrier (“ILEC”) study area designation 411808 with FCC Form 499 Filer ID 803634 is hereinafter referred to alternatively as “MOUNDRIDGE TELEPHONE COMPANY” or “Company.”
- 1.1.B The rates, terms and conditions contained within this document, hereinafter referred to as “Rates, Terms and Conditions,” are applicable to the provision by the Company of Wireline Broadband Internet Transport Service, hereinafter collectively or individually referred to alternatively as “Service” or Wireline Broadband Internet Transport Service or “WBITS”, as specified herein. Service is furnished subject to the availability of facilities and subject to transmission, atmospheric and like conditions. By accepting Service from the Company, the Customer accepts these Rates, Terms and Conditions as a binding agreement between the Customer and the Company.
- 1.1.C Under the Rates, Terms and Conditions the Company offers the Services subject to the jurisdiction of the Federal Communications Commission (“FCC”) pursuant to Title II of the Communications Act of 1934, As Amended, (47 USC § 201-276) on a common-carriage permissively detariffed basis.
- 1.1.D The Company offers Services where technically feasible within its incumbent local exchange carrier (“ILEC”) exchange boundaries in the state of Kansas. For purposes of interstate services, including permissively detariffed WBITS as is comprehended by the Services, the Company’s serving area is identified as a study area with a discrete Study Area Code (“SAC”) 411808.
- 1.1.E The provision of Service by the Company as set forth in these Rates, Terms and Conditions does not constitute a joint undertaking with the Customer for the furnishing of any service.
- 1.1.F From time to time, the Company may at its sole discretion modify the Rates, Terms and Conditions. Modification will be effective thirty (30) days after both posting of revised Rates, Terms and Conditions on the Company’s Internet web site and mailing by United States Postal Service a copy of the revised Rates, Terms and Conditions to all customers currently a party to an executed Agreement as described in Section 2.5 following.

## WIRELINE BROADBAND INTERNET TRANSPORT SERVICE

**1.2 Definitions**

Certain terms used throughout these Rates, Terms and Conditions are defined as follows.

**Application for Service**

An “Application for Service” is a standard order form which includes all pertinent billing, technical, and other descriptive information which will enable the Company to provide the Service as required.

**Broadband**

For purposes of these Rates, Terms and Conditions, “broadband” means transmission of IP data at speeds of 512 kbps or higher upstream and 512 kbps or higher downstream.

**Business**

“Business” means any activity that occupies the time, attention, and labor of a person or persons for the purpose of a livelihood, profit, government, provision or administration of education, organized not-for profit activity including, but not limited to, professional services.

**Business Customer**

A “Business Customer” is an end user customer with one or more locations in the Company’s service area who operates a business from the location or locations with local telecommunications services provided to the location or locations by the Company or for which the Company has facilities in place such that the Company is capable of providing local telecommunications services to the location.

**Business Line**

A “Business Line” is a line extending the Company’s telecommunications network capable of transporting WBITS to the premises of a Business Customer.

**Company**

The term “Company” refers to MOUNDRIDGE TELEPHONE COMPANY, study area designation 411808 and FCC 499 Filer ID 803634, operating in the state of Kansas.

**Customer**

A “Customer” is any individual, partnership, association, trust, corporation, cooperative or governmental agency or other entity operating as a Network Service Provider and utilizes the Services provided by the Company under these Rates, Terms and Conditions WBITS. A Customer, as set forth herein, is responsible for the payment of charges and for compliance with all applicable terms of the Rates, Terms and Conditions.

## WIRELINE BROADBAND INTERNET TRANSPORT SERVICE

Customer Provided Equipment

Terminal equipment or facilities provided by persons other than the Company and connected to the Company's Services and/or facilities.

Data-Only WBITS

The term "Data-Only" when used in the context of WBITS refers to provision of the service over Company facilities that do not also carry Company-provided local exchange switched voice service to the end user premises.

Digital Subscriber Line ("DSL") Access Service Connection Point

The term "Digital Subscriber Line (DSL) Access Service Connection Point" is a location designated by the Company that serves as an aggregation point for the collection of Company WBITS traffic from multiple Digital Subscriber Line Access Multiplexers (DSLAMs) or comparable packet-mode data modem equipment. Network Service Providers establish connections to the Company's WBITS network at the Company designated DSL Access Service Connection Point.

Downstream

"Downstream" refers of the flow of IP data from an ISP to an end user subscriber designated premises such as, but not limited to an end user subscriber's home or business over the Company's WBITS network.

End User

The term "end user," as used in these Rates, Terms and Conditions, refers to the individual or business legally occupying through ownership, lease, rental or other similar legal device a premises within the Company's study area that has legal authority to order utilities, telecommunications, information services and other services for the premises. The end user may be either a current local exchange switched voice service customer of the Company or a person or business that is not an active local exchange switched voice service customer of the Company but who occupies a premises to which the Company has connecting facilities capable of providing local exchange switched voice service.

End User Subscriber

The term "End User Subscriber," as used in these Rates, Terms and Conditions, refers to an end user served by the Company and to which the Customer orders WBITS service for connection to the Customer's ETS connection at the Company's DSL Access Connection Point. An End User Subscriber may be either a Residential Customer or a Business Customer.

## WIRELINE BROADBAND INTERNET TRANSPORT SERVICE

Ethernet

The term “Ethernet” denotes a high speed networking technology utilizing a packet-based Ethernet protocol. Ethernet enables broadband multimedia traffic (i.e., voice, data and video) to be carried over the same network. Ethernet Transport Service (“ETS”) for connection to the Company’s WBITS network DSL Access Service Connection Point must be ordered from the Company pursuant to the regulations and rates in John Staurulakis, Inc. Tariff F.C.C. No. 1 for which the Company is an issuing carrier.

Incumbent Local Exchange Carrier (“ILEC”)

Incumbent Local Exchange Carrier (“ILEC”) has the same meaning as Section 251(h) of the Communications Act, as Amended 47 U.S.C. § 251(h)(1).

(1) DEFINITION.--For purposes of this section, the term "incumbent local exchange carrier" means, with respect to an area, the local exchange carrier that--(A) on the date of enactment of the Telecommunications Act of 1996, provided telephone exchange service in such area; and (B)(i) on such date of enactment, was deemed to be a member of the exchange carrier association pursuant to section 69.601(b) of the Commission's regulations (47 C.F.R. 69.601(b)); Or (ii) is a person or entity that, on or after such date of enactment, became a successor or assign of a member described in clause (i).

Internet

The Internet is “the international computer network of both Federal and non-Federal interoperable packet switched data networks.” 47 USC §230(f)(1). The Internet is also described as “the combination of computer facilities and electromagnetic transmission media, and related equipment and software, comprising the interconnected worldwide network of computer networks that employ the Transmission Control Protocol/Internet Protocol or any successor protocol to transmit information.” 47 USC §231(e)(3).

Internet Protocol (“IP”)

The Internet Protocol (“IP”) is the industry standard method or protocol by which data is sent from one computer to another on the Internet.

Internet Service Provide (“ISP”)

An Internet Service Provider (“ISP”) is an organization that provides access to the Internet. The ISP provides the username and password to the end user Internet customer.

## WIRELINE BROADBAND INTERNET TRANSPORT SERVICE

kbps

“kbps” is the widely recognized abbreviation for “kilobits per second”, a measure of data transfer speed. The “k” in kbps is lowercase to indicate measurement in decimal, i.e. 1 kbps is 1,000 kilobits per second.

KB

“KB” is the widely recognized abbreviation for kilobyte, equal to 1,000 bytes of data without respect to speed of transmission. Where a byte comprises eight bits, transmission of one KB at 1,000 kbps would take approximately eight seconds. Storage of data is generally measured in kilobytes and, in turn, the size of a file for transmission over the Internet is measured in kilobytes (data storage is also measured in KBs). For purposes of these Rates, Terms and Conditions, monthly data transmission limits are set at levels of KBs.

Local Exchange Switched Voice Service

Local exchange switched voice service is voice grade access to the public switched telephone network (“PSTN”) provided by the Company to the end user for a charge that enables the end user to transmit voice communications, including signalling the network that the caller wishes to place a call, and to receive voice communications, including receiving a signal indicating there is an incoming call.

Mbps

“Mbps” is the widely recognized abbreviation for “megabits per second”, indicating a data transfer speed of one million bits per second.

Gbps

“Gbps” is the widely recognized abbreviation for “gigabits per second”, indicating a data transfer speed of one billion bits per second. Gbps is also referred to as “Gig.”

John Staurulakis, Inc. Tariff FCC No. 1

John Staurulakis, Inc. (“JSI”) Tariff FCC No. 1 is the interstate access tariff filed by JSI on behalf of incumbent local exchange carriers. The Company is an issuing carrier for JSI Tariff FCC No. 1. Because the Company is an issuing carrier, it is pursuant to the rates and regulations of JSI Tariff FCC No. 1 that Customers must order interstate Ethernet Transport Service (“ETS”) services required for connection to the Company’s WBITS network at the Company’s DSL Access Connection Point.

## WIRELINE BROADBAND INTERNET TRANSPORT SERVICE

Network Service Providers

“Network Service Providers” are Internet Service Providers (ISPs) or Multi-Media providers who provide retail services to end user customers based on transmission of data through use of Internet Protocol.

Rates, Terms and Conditions

“Rates, Terms and Conditions” refers to this document as a whole comprising the rates, terms and conditions applicable to the provision of Services to Customers by the Company.

Residence

A “Residence” is a dwelling place with a unique street address, rural delivery or other address recognized by the United States Postal Service or United States Census Bureau, notwithstanding the customer may receive mail at a post office box, that is inhabited by a person or persons with legal control of the dwelling place and who are authorized to order service for the address. For purposes of this definition, a street address includes, where applicable, an apartment number or other such number indicating a unit within a multiple dwelling unit.

Residential Customer

A Residential Customer is an end user customer currently served at a residence with local telecommunications services provided by the Company or for which the Company has facilities in place such that the Company is capable of providing local telecommunications service. Where a person or persons operates a Business from a residence, the customer will be considered a Business Customer.

Residential Line

A “Residential Line” is a line extending the Company’s telecommunications network capable of transporting WBITS to the premises of a Residential Customer.

Service

“Service” means the offerings of the Company comprising Wireline Broadband Internet Transport Service (“WBITS”).

Study Area

A study area is a geographic segment of an ILEC’s telephone operations and generally corresponds to an incumbent local exchange carrier’s entire service territory within a state for which the National Exchange Carrier Association, Inc. (“NECA”) has assigned a six-digit study area code (“SAC”).



WIRELINE BROADBAND INTERNET TRANSPORT SERVICE

Telecommunications

“Telecommunications” is the transmission of voice communications or, subject to the transmission capabilities of the service, the transmission of data, facsimile, signaling, metering, or any other form of intelligence.

Upstream

“Upstream” refers of the flow of IP data from an end user subscriber customer designated premises such as, but not limited to a subscriber’s home or business to an ISP over the Company’s WBITS network.

Voice-Data WBITS

The term "Voice-Data" when used in the context of WBITS refers to provision of the service over Company facilities that also carry local exchange switched voice service, subscribed to by the end user from the Company to the end user premises.

Wireline Broadband Internet Transport Service (“WBITS”)

“Wireline Broadband Internet Transport Service” or “WBITS” is a high-speed data access service that is made available to Network Service Providers for connection to the Company’s end user customers over existing company local exchange facilities for provision of broadband services employing Internet Protocol.

## WIRELINE BROADBAND INTERNET TRANSPORT SERVICE

**2. Terms and Conditions****2.1 Undertaking of the Company****2.1.A Scope**

The Company makes Services available to Network Service Providers. Services are described in Section 3 of these Rates, Terms and Conditions.

Connecting the Customer's network to the Company's WBITS network requires the Customer to order Special Access or Public Packet Data Network transport services sufficient to carry the Customer's data between its premises and the Company's designated DSL Access Connection Point. Special Access or Public Packet Data Network transport services within the Company's serving area must be obtained from the Company under John Staurulakis, Inc. (JSI) Tariff FCC No. 1. The Company is an issuing carrier for JSI Tariff FCC No. 1 and bills Customers the rates established in JSI Tariff FCC No. 1 for services ordered pursuant thereto.

For purposes of connection from the Customer Designated Premises ("CDP") to the Company's DSL Access Connection Point, the Company provides the following services pursuant to JSI Tariff FCC No. 1 and subject to technical capability.

Public Packet Data Network:

Ethernet Transport Service (ETS)  
Asynchronous Transport Mode (ATM)

**2.1.B Limitations**

- (1) The services provided pursuant to these Rates, Terms and Conditions are offered subject to the availability of facilities and the other provisions of these Rates, Terms and Conditions.
- (2) The Company does not undertake to transmit communications or messages, but rather furnishes facilities, Service and equipment for such transmissions by the Customer.
- (3) The Company retains the right to deny Service to any Customer which fails to comply with the rules and regulations of these Rates, Terms and Conditions, or other applicable rules, regulations or laws.

## WIRELINE BROADBAND INTERNET TRANSPORT SERVICE

**2.2 Obligations of the Customer**

- 2.2.A All Customers assume general responsibilities in connection with the provision and use of the Company's Service. General responsibilities are described in this section. When facilities, equipment, and/or communication systems provided by others are connected to the Company's facilities, the Customer assumes the additional responsibilities as set forth in Section 2.2, herein.
- 2.2.B The Customer is responsible for the payment of all charges for any and all Services or facilities provided by the Company to the Customer.
- 2.2.C The Customer shall indemnify and save harmless the Company from and against all loss, liability, damage and expense, including reasonable counsel fees, due to claims for libel, slander, or infringement of copyright or trademark in connection with any material transmitted by the Customer using the Company's Services; and any other claim resulting from any act or omission of the Customer to the use of the Company's facilities.
- 2.2.D The Customer shall reimburse the Company for damages to the Company's facilities caused by any negligence or willful act or acts on the part of the Customer.
- 2.2.E In the event a suit is brought by the Company, or an attorney is retained by the Company to collect any bill or enforce the terms of these Rates, Terms and Conditions against a Customer, that Customer shall be responsible for payment of all reasonable attorney's fees, court costs, costs of investigation and any and all other related costs and expenses incurred by the Company in connection therewith.
- 2.2.F The Customer understands that the Services are furnished subject to the condition that there will be no abuse, fraudulent and/or illegal use thereof. Such activity includes, but is not limited to:
- (1) Using the Service for any purpose which is in violation of any law.
  - (2) Obtaining or attempting to obtain Services through any scheme, false representation and/or use of any fraudulent means or devices whatsoever with the intent to avoid payment, in whole or in part, of charges for Services, or assisting any other person or firm in such regard.
  - (3) Using the Services in a manner that interferes unreasonably with the use of Service by one or more other Customers.

**2.3 Liabilities of the Company**

Except as stated in this Section 2.3, the Company shall have no liability for damages of any kind arising out of or related to events, acts, rights or privileges contemplated in the Rates, Terms and Conditions.

## WIRELINE BROADBAND INTERNET TRANSPORT SERVICE

- 2.3.A The liability of the Company for damages resulting in whole or in part from or arising in connection with the furnishing of Service under the Rates, Terms and Conditions including, but not limited to, mistakes, omissions, interruptions, delays, errors or other defects or misrepresentations shall not exceed an amount equal to the charges under the Rates, Terms and Conditions applicable to the specific Service (or portion thereof) that was affected. No other liability shall attach to the Company.
- 2.3.B The Company shall not be liable for any failure of performance hereunder due to causes beyond its control, including, but not limited to: (1) acts of God, fires, flood or other catastrophes; (2) any law, order, regulation, directive, action or request of the United States Government, or any other government, including state and local governments having jurisdiction over the Company, or of any department, agency, bureau, corporation or other instrumentality of any one or more of said governments, or of any civil or military authority; or (3) national emergencies, insurrections, riots, wars or other labor difficulties.
- 2.3.C The Company shall not be liable for any act or omission of any other entity furnishing facilities, equipment, or services used by a Customer, with the Company's Services. In addition, the Company shall not be liable for any damages or losses due to the failure or negligence of any customer or due to the failure of customer provided equipment, facilities or services.

**2.4 Application for Service**

The Customer must place an Application for Service with the Company to initiate, cancel or change the Services provided pursuant to these Rates, Terms and Conditions. Applications for Services may be either in writing or orally and provide, at a minimum, the following information:

- 2.4.A Customer's name(s), telephone number(s) and address(es). In the case of a corporation or partnership, a designated officer or agent shall be named as the contact person for such corporation or partnership.
- 2.4.B Name(s), address(es) and telephone number(s) of person(s) to whom notices from the Company to the Customer shall be addressed, if different from (A) above.

## WIRELINER BROADBAND INTERNET TRANSPORT SERVICE

**Executed Agreements****2.5.A Agreement**

The Company and the Customer shall execute an agreement (“Agreement”) setting forth, based on the Customer’s Application for Service, the specific services available under the Rates, Terms and Conditions that the Customer is ordering, the terms and volume commitments the Customer is establishing, the type and volume of ETS or ATM the Customer is ordering under JSI Tariff F.C.C. No. 1. The Agreement shall incorporate by reference these Rates, Terms and Conditions. The Rates, Terms and Conditions incorporated by reference into the Agreement should be the current Rates, Terms and Conditions posted on the Company’s web site or delivered to the customer by United States Postal Service, subject to amendment by the Company from time to time as provided for in Section 1.1.F.

**2.5.B Technical Standards Supplement (“TS Supplement”)**

The Company and the Customer shall agree to the industry technical standards applicable to the transmission of data between the Customer and the Company through use of the Company’s WBITS provided pursuant to these Rates, Terms and Conditions and the Agreement. The agreed to technical standards shall be documented in the Technical Standards Supplement (“TS Supplement”). The TS Supplement shall be signed by both parties and incorporated by reference into the Agreement.

The TS Supplement can be amended, from time to time, based on mutual agreement of the Customer and the Company. If an industry standard becomes obsolete or is otherwise no longer supported by vendors associated with the Company’s network, any duties with respect to technical standards are vitiated. In the event the Customer and the Company do not come to agreement regarding replacement industry standards, the Company shall choose the replacement industry standard most commonly used by the industry.

**2.6 Charges and Payments for Service or Facilities****2.6.A Deposits**

- (1) The Company may, in order to safeguard its interests, require a Customer to make a suitable deposit or provide a surety bond or letter of credit in the amount of the required deposit as a guarantee of the payment of charges. The Company shall have the right to require the Customer to make a deposit prior to or at any time after provision of any Service, not to exceed three (3) months estimated charges. The Company may increase the amount of the deposit to reflect increases to the Customer’s annual bill. The Customer will receive a receipt for the deposit.

## WIRELINE BROADBAND INTERNET TRANSPORT SERVICE

- (2) Any deposit as referred to in this Section shall be held by the Company to secure the payment of the Customer's bill. At the Company's option, the deposit may be refunded or credited to the Customer at any time prior to the termination of Service.
- (3) Interest will be paid by the Company on all sums held on deposit at the rate established statutorily for customer deposits. The interest will be accrued for the period during which the deposit is held by the Company.
- (4) The fact that a deposit is made does not relieve the Customer from making advance payments or from complying with the Company's regulations for the payment of bills in accordance with the terms herein and does not constitute a waiver or modification of the regulations of the Company providing for the discontinuance of Service for nonpayment of any sums due the Company for Service rendered.
- (5) Upon termination of Service, and assuming deposits of the Customer are not applied as indicated in Section 2.6.A.2, the deposit will be credited to the Customer's account and any credit balance will be refunded after all amounts due the Company have been paid.

**2.6.B Description of Payment and Billing Periods**

- (1) Service is provided and billed on a monthly basis. Service continues to be provided and billed on a monthly basis until canceled by the Customer through written notice given to the Company. Cancellation for individual WBITS lines will take effect within in five business days following receipt by Company of Customer's written notice of cancellation.
- (2) The Company shall establish the start date for monthly bill periods and such monthly periods shall continue through the term of the Agreement.
- (3) Proration of Charges

Adjustments for the quantities of services established or discontinued in any billing period beyond the minimum period set forth for services in other sections of the Rates, Terms and Conditions will be prorated to the number of days based on a 30 day month.

**2.6.C Taxes and Other Charges**

In addition to payment for Services, Customer must pay all taxes, fees, surcharges and other charges that the Company bills Customer related to Services. Taxes and surcharges will be in the amounts that federal, state and local authorities require the Company to bill Customer. The Company will not provide advance notice of changes to taxes and surcharges, except as required by applicable law. All such taxes and charges shall be separately shown and charged on bills rendered by Company or its billing agent.

## WIRELINE BROADBAND INTERNET TRANSPORT SERVICE

2.6.D Payment and Late Payment Charge

- (1) Payment will be due as specified on the Customer bill. Commencing after that due date, a late charge of up to the highest interest rate allowable by state law will be applied to all amounts past due.
- (2) Collection procedures and the requirement for a deposit are unaffected by the application of a late payment charge. The late payment charge does not apply to unpaid balances associated with disputed amounts. Undisputed amounts on the same bill are subject to the late payment charge if unpaid and carried forward to the next bill.
- (3) Service may be denied or discontinued at the Company's discretion for nonpayment of amounts due the Company past the due date as specified in 2.6.D(1). Restoration of Service will be subject to all applicable installation charges.

2.6.E Credit Allowance/Service Interruptions

- (1) Credit for failure of Service will be allowed only when failure is caused by or occurs in the Company's facilities or equipment owned, provided and billed for by the Company. A credit allowance is not applicable for any period during which Customer cannot utilize the Service, except for such period where the Service is interrupted by the Company for access to its facilities for the purposes of investigating and clearing troubles and/or maintenance.
- (2) Credit allowances for failure of Service or equipment starts when the Customer notifies the Company of the failure and ceases when the operation has been restored and an attempt has been made to notify the Customer by the Company.
- (3) The Customer shall notify the Company of failures of Service or equipment and make reasonable attempts to ascertain that the failure is not caused by Customer Provided Equipment or Customer provided facilities, any act, or omission of the Customer, or in wiring or equipment connected to the Customer's terminal.
- (4) Only those portions of the Service or equipment operation disabled will be credited.

## WIRELINE BROADBAND INTERNET TRANSPORT SERVICE

**2.6.F Service Interruption Measurement**

- (1) In the event of an interruption of Service that exceeds the minimum requirements set forth in this paragraph, the Company shall make a credit allowance at the Customer's request for a pro rata adjustment of all Service charges billed by the Company for Services rendered inoperative by the interruption. The credit allowance will be computed by dividing the duration of the service interruption measured in twenty-four (24) hour days, from the time the interruption is reported to the Company, by a standard thirty (30) day month, and then multiplying the result by the Company's fixed monthly charges for each interrupted Service.
- (2) A credit allowance will not be given for interruptions caused by the negligence or willful act of the Customer, or interruptions caused by failure of equipment or service not provided by the Company.

**2.7 Termination or Denial of Service by the Company****2.7.A** The Company may, immediately and without notice to the Customer, and without liability of any nature, temporarily deny, terminate, or suspend Service to any Customer:

- (1) In the event such Customer or its agent: (a) willfully damages the Company equipment, interferes with use of the Company's Service by other Customers of the Company; (b) unreasonably places capacity demands upon the Company's facilities or Service; or (c) violates any statute or provision of law, or any rule or regulation of any state or federal regulatory agency relating to communications; or (d) otherwise fails to comply with the provisions of these Rates, Terms and Conditions or applicable law; or
- (2) In the event a Customer becomes insolvent, is the subject of any formal legal proceeding commenced in a court involving a voluntary or involuntary petition or proceeding in bankruptcy, seeks protection or relief from creditors in a formal legal proceeding after a filing for such relief, or executes an assignment for the benefit of creditors; or
- (3) In the event that the Company determines that any Service is being used fraudulently or illegally, whether by a Customer or its agent.



## WIRELINE BROADBAND INTERNET TRANSPORT SERVICE

**2.8 Billing Disputes**

If Customer believes Customer has been billed by the Company in error, Customer must contact the Company within sixty (60) days of the date of the bill which contains the disputed charge. Refunds or adjustments will not be issued for any charge that is more than sixty (60) days old at the time Customer notifies the Company. Customer may withhold from payment to the Company the disputed portion of any bill pending resolution of the dispute. Customer must pay all non-disputed charges on the bill by the due date indicated on the bill. The Company will notify Customer of the results of its inquiry, and either adjust the billing, issue a credit, or notify Customer that all or a portion of the disputed amount is still owed. Customer will be required to pay such amount within fifteen, (15) days thereafter, and if Customer fails to pay this amount within the time required, Customer's account will be deemed past due and unpaid and Customer's Service subject to termination under Section 2.6 above. Any payments Customer withholds pending resolution of the dispute may be subject to a late payment charge at the highest interest rate allowable by law applied to past due amounts.

## WIRELINE BROADBAND INTERNET TRANSPORT SERVICE

**3. Description of Service****3.1 General**

Wireline Broadband Internet Transport Service (“WBITS”) enables data traffic generated by a Customer-provided modem to be transported from the premises of the Company’s end user customer to the Company’s DSL Access Service Connection Point using the Company’s local exchange service facilities. A DSL Access Service Connection Point is an interconnection point designated by the Company at which the customer may interconnect WBITS provided by the Company under the Agreement and Rates, Terms and Conditions with transmission facilities ordered by the Customer under the Company’s ETS or ATM offerings under JSI Tariff F.C.C. No. 1. The DSL Access Service Connection Point aggregates WBITS data.

**3.1.A ETS or ATM Connection**

The Company offers transport of Network Service Provider traffic between the Network Service Provider’s designated premises and the DSL Access Service Connection Point through either Ethernet Transport Service (ETS) or Asynchronous Transfer Mode (ATM) provided under JSI Tariff F.C.C. No. 1.

**3.1.B Designated End User Premises**

The Company’s WBITS allows Customers to establish broadband Internet connections to the designated end user subscriber premises. The designated end user subscriber premises location must be served by an existing Company provided exchange line facility. An exchange line facility is the serving wire center central office line equipment and all of the plant facilities up to and including the Company-provided NID.

The connection speed or “sync rate” is between the NID at the end user’s premises and the DSLAM. Actual data transfer or throughput may be lower than the sync-rate due to Internet congestion, server or router speeds, protocol overheads, end user use of multiple applications and other factors that may not be under the Company’s control.

WBITS will be provided by the Company subject to the availability and limitations of Company Wire Centers and outside plant facilities.

**3.2 Service Options**

WBITS is available in the downstream and upstream options established by the Company as indicated in each option offered by the Company shall specify the downstream and upstream speeds.

## WIRELINE BROADBAND INTERNET TRANSPORT SERVICE

**3.3 WBITS Provisioning****3.3.A Responsibility of the Company**

- (1) WBITS will be provisioned over existing Company local exchange service lines.
- (2) Where fiber is installed to the end user customer premises, subject to technical capability, the Company will provision WBITS over fiber facilities.
- (2) Where fiber facilities are not available, the Company will determine if the copper facilities are suitable for use with the WBITS option ordered by the customer. Service will not be provided on lines that are not suitable for Wireline Broadband Internet Transport Service or on lines that produce interference with other services provided by the Company.
- (3) The Company will provision and maintain WBITS for the customer between the NID at the end user premises and the customer's Ethernet Transport Service DSL Access Connection Point.
- (4) The Company reserves the right to temporarily interrupt WBITS for wire center or network maintenance, software updates, and in emergency situations.

**3.3.B Responsibility of the Customer**

- (1) The Customer is responsible for obtaining and installing compatible end user subscriber customer premises equipment (CPE, DSL modems and/or routers) used for connection to Company WBITS at the WBITS termination at the end user subscriber location
- (2) The Customer is responsible for ensuring the continuing compatibility of CPE at the end user subscriber premises. The Customer and/or end user subscriber shall be responsible for any expenses incurred for required changes to Customer and/or end user subscriber equipment or facilities in order to make such equipment or facilities compatible with Company WBITS.
- (3) The Customer is responsible for providing the Company with the necessary information to provision the WBITS to its subscribers.
- (4) The Customer ordering WBITS for connection to its end user subscriber(s) must obtain and maintain record of a letter of agency authorizing the Customer to act as the agent of the end user subscriber. Upon request from the Company, Customer will provide the Company with a copy of the letter of agency.
- (5) The Customer must have connectivity to Company's Ethernet Transport Service network where Customer chooses to purchase WBITS. The rates and charges for Ethernet Transport Service are in addition to the rates and charges for WBITS as set forth in these Rates, Terms and Conditions.

## WIRELINE BROADBAND INTERNET TRANSPORT SERVICE

- (6) The Customer must order a WBITS Access Service Connection. The WBITS Access Service Connection provides for the interconnection of a customer's network with the Company's WBITS network at the Company's designated DSL Access Service Connection Point. Monthly recurring charges and nonrecurring charges apply to WBITS Access Service Connections as set forth following.
- (7) The Customer will obtain the appropriate authorization from its end user subscriber to allow the Company's employees or agents to enter the end user subscriber's designated premises at any reasonable hour for the purpose of installing, inspecting, repairing or removing the NID or drop associated with WBITS.
- (8) The Customer is responsible for providing all customer support, marketing, billing, ordering and repair to and for its end users.
- (9) The Customer is responsible for all dealings with end user customers for Internet service provided by the Customer.
- (10) The Customer shall at all times be the Customer of record with respect to all Services purchased hereunder and shall be responsible for payment to Company. Customer retains all responsibility for billing its end users and for any claim an end user may make concerning unauthorized billing.

### **3.4 Rate Regulations**

#### **3.4.A Rate Elements**

There are four types of rates and charges applicable to WBITS. These are a monthly connection WBITS access service connection charge, a monthly WBITS line rate, nonrecurring charges associated with each of the foregoing and a WBITS network reconfiguration charge.

##### **(1) Monthly WBITS Line Rates**

The monthly rate applies each month or fraction thereof for each local exchange service line equipped with WBITS.

For purposes of application of the monthly rate, WBITS may be ordered under any of the following options that are offered by the Company as indicated following.

Monthly Rates Without Discount Customers may order WBITS at a monthly rate without discount. Monthly rates apply without any volume or term commitment.

WBITS Term and Volume Plan (TVP) Rates Customers may order WBITS under WBITS Term and Volume Plan (TVP) Rates as indicated following.

## WIRELINE BROADBAND INTERNET TRANSPORT SERVICE

Service Classes WBITS is provided under two classes of service, Voice-Data and Data-Only.

Voice-Data WBITS provided on the basis of voice-data is designed to support affordable high speed Internet access for residential and business end users. The actual throughput achieved by voice-data is not guaranteed and may be affected by many factors, such as Internet congestion. Voice-Data WBITS is provisioned over the end user's existing Company local exchange switched voice service line. When provisioned over the end user's existing local exchange switched voice service line, WBITS utilizes a centrally placed splitter or in-line filters to isolate the voice band service and equipment from the WBITS service and equipment.

Data-Only WBITS provided on a data-only basis is provisioned over a separate, dedicated data-only Company local exchange line facility.

(3) Nonrecurring Charges

A nonrecurring charge applies per local exchange service line for the installation of WBITS.

A nonrecurring charge also applies to the establishment of a WBITS Access Connection.

For three-year term commitments, nonrecurring charges do not apply to WBITS Access Connections or WBITS lines.

(4) WBITS Network Reconfiguration Charge

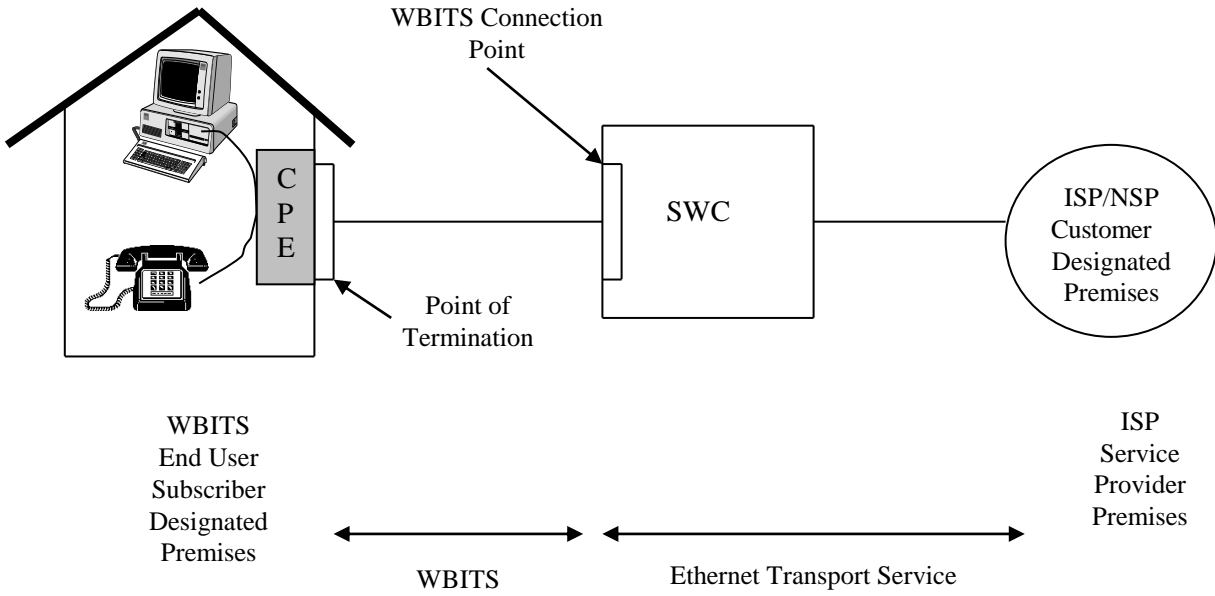
A WBITS Network Reconfiguration Charge applies when the WBITS customer's ISP requests the Company to modify the Company's network to accommodate a change in the WBITS Customer's existing WBITS line. A nonrecurring charge applies for each request per WBITS line. The Company will bill the WBITS Network Reconfiguration Charge to the WBITS customer's ISP. No WBITS Network Reconfiguration Charge shall apply where the change requested by the WBITS Customer is for a change in WBITS transmission speed.

All changes to existing WBITS (including but not limited to change of ISP), other than changes involving WBITS Access network reconfigurations and administrative activities, will be treated as a discontinuance of the existing service and an installation of a new service. A nonrecurring installation charge will apply per WBITS line for this work activity.

3.4.B Rate Application

The following diagram depicts a typical WBITS configuration:

WIRELINE BROADBAND INTERNET TRANSPORT SERVICE



## WIRELINE BROADBAND INTERNET TRANSPORT SERVICE

3.4.C Minimum Period

The minimum period for which WBITS is provided to a customer and for which charges are applicable is one month.

3.4.D Moves

A move involves a change in the physical location of one of the following:

- The Point of Termination at the Customer's (Network Service Provider's) customer designated premises in the Company's study area.
- The end user subscriber's customer designated premises

The charges for the move are dependent on whether the move is to a new location within the same building or to a different building.

## (1) Moves within the Same Building

When the move is to a new location within the same building, the charge for the move will be an amount equal to one half of the nonrecurring (i.e., installation) charge for the service termination affected. There will be no change in the minimum period requirements.

## (2) Moves to a Different Building

Moves to a different building will be treated as a discontinuance and start of service and all associated nonrecurring charges will apply. New minimum period requirements will be established for the new services. The customer will also remain responsible for satisfying all outstanding minimum period charges for the discontinued service.

3.4.E WBITS Term and Volume Plan (TVP) Rates

- (1) Description The WBITS Term and Volume Plan (TVP) allows customers discounted access rates based upon the volume and/or term commitment. Rates will be based upon the TVP selected by the customer.

Term plans of one (1) and three (3) years may be available to all customers at applicable rates set forth in the Rates, Terms and Conditions regardless of when the subscription is made for a WBITS TVP arrangement. The customer must designate on the order the type of payment plan selected. The selected term shall apply to all WBITS access lines ordered by the customer without respect to speed or class.

## WIRELINE BROADBAND INTERNET TRANSPORT SERVICE

- (2) Rate Application Upon expiration of a TVP period, the customer may choose a new TVP period, convert to month-to-month or terminate service. The month-to-month rates will be those rates that are in effect at the time of conversion. If the customer fails to make a choice by the end of the TVP period, the WBITS will continue billing at the existing term and volume commitment level rates and a new TVP period will begin based on previously effective term and volume commitment. All terms and conditions, including Termination Liabilities will apply to the new TVP period.

Conversion to a month-to-month or a different TVP period will require the customer to submit a change order. Conversion of existing TVP service to a different TVP period will be allowed without application of any nonrecurring charges.

- (3) Changes in Length of TVP Period

The customer may elect to convert to a new TVP period subject to the following conditions:

- (a) Credit will not be given toward the new payment period for payments made under the original TVP arrangement.
  - (b) Nonrecurring charges will not be reapplied for existing service(s).
  - (c) If the new TVP period is shorter in length than the time remaining under the existing TVP, the change to the new TVP period constitutes a discontinuance of the existing TVP service and termination liability charges apply.
- (4) Rate Changes The customer may terminate the TVP without penalty or liability should the rates increase during the term of the existing TVP, with the exception of rate changes that may occur as a result of any rate increases resulting from FCC prescription or order that either directly or indirectly affects the cost to the Company of providing WBITS.
- (5) TVP Conditions After enrolling in the plan, the customer may delete or add WBITSs rated at the specified term period/threshold level rate at any time during the plan.
- (6) Minimum Monthly Charge for Volume Commitment A monthly minimum charge applies for each volume commitment. In the event aggregate charges at the TVP rates applicable for the ordered speeds for the individual WBITS lines provided by the Company to the Customer are less than the monthly minimum charge for the TVP ordered by the Customer, the charge by the Company to the Customer for the month for WBITS lines will be the monthly minimum charge in lieu of the aggregate of individual line charges. If the aggregate of individual line charges for a month is higher than the monthly minimum charge, the Customer is liable for the charges aggregating higher than the monthly minimum charge.

Notwithstanding billing of a monthly minimum charge for WBITS lines, the Customer remains liable for any charges under these Rates, Terms and Conditions other than line charges that apply for a month such as the WBITS Access Service Connection charge, the WBITS Network Reconfiguration Charge or Nonrecurring Charges. Additionally, the Customer's duty to pay for



## WIRELINE BROADBAND INTERNET TRANSPORT SERVICE

ETS or ATM charges under JSI Tariff FCC No. 1 are not affected by the monthly minimum charge for TVP elections under these Rates, Terms and Conditions.

- (7) Termination Liability When a TVP service is discontinued prior to the end of the commitment term, termination liability charges will apply at the rate for which the customer qualified at the time of termination based on committed term and actual volume level for the difference between the term and the actual months of service. If the difference includes a partial month, the portion of the termination liability for the partial month will be determined by proration based on the number of days of service relative to the calendar days in the month of partial service.

The Company will calculate the termination liability for each month subject to the termination liability. In the event the termination liability calculated based on the preceding for any single month is below a monthly minimum charge billed to the Customer, the monthly minimum charge for the month is sustained and no termination liability applies to that month.

The termination liabilities calculated for individual months comprising the term period from beginning to termination will aggregate to the total termination liability for which the Customer is liable.

#### 3.4.F Monthly Transfer Limitations

The Company, in its sole discretion, reserves the right to monitor bandwidth usage (i.e., monthly data transfer rate) for each individual WBITS line and determine when such usage is in excess of the monthly transfer limitation for the WBITS offering. The monthly period for monitoring is the same month as that for which service is billed by Company to Customer for the WBITS line. In the event Customer exceeds the monthly limits established by the Company herein, Customer must undertake to limit usage within the monthly period or incur additional fees as stated below.

The monthly transfer limitation for the upstream capacity for an offering is equal to 3,000 KBs for each kb of stated upstream speed for an offering. The monthly transfer limitation for the downstream capacity for an offering is equal to 3,000 KBs for each kb of stated downstream speed for the offering. For example, an offering with 1 Mbps upstream speed and 10 Mbps downstream speed would have a monthly transfer limitation for upstream of 3,000 KBs (or 3 GBs) and a monthly transfer limitation for downstream of 30,000 KB (or 30 GBs).

In the event Company monitoring of bandwidth usage indicates imposition of a limitation within the monthly limitation of 3,000 KB per 1 kb, Customer may order additional monthly transfer capacity for an individual line at a charge of ten cents (\$0.10) per month for each additional 1,000 KB of upstream data transfer and ten cents (\$0.10) per month for each additional 1,000 KB of downstream data transfer. The monthly transfer limitations applicable to the individual WBITS line for which additional transfer capacity is ordered will be increased from 3,000 KB per kb reflective of the individual monthly transfer capacity ordered for either upstream or downstream.

WIRELINE BROADBAND INTERNET TRANSPORT SERVICE

3.4.G Individual Case Basis (ICB) Offerings

The Company will enter into individual case basis pricing arrangements for all volume of 1,000 lines. The terms and conditions of these Rates, Terms, and Conditions will apply to all services subject to the ICB agreement at the agreed to rates for the respective volumes and speeds. The Customer and the Company will execute an Agreement establishing the volume commitment and rates and incorporate by reference these rates, terms, and conditions.

WHOLESALE WIRELINE BROADBAND INTERNET TRANSPORT SERVICE

**Section 4: Rates and Charges**

**4.1 WBITS Network Reconfiguration Charge**

Nonrecurring Charge per WBITS access line reconfigured.

Term Commitment	Prior Month Volume 1 to 999 Lines	Prior Month 3,000 or More Lines
None	\$49.00	Waived
3 Year	N/A	Waived

**.2.A WBITS Monthly Recurring and Nonrecurring Line Charges  
Wholesale WBITS – No Term and Volume Commitment**

Option	Speed (Mbps) – Up To		Monthly Recurring Charges	Non-recurring Charge
	Upstream - Up To	Down-stream - Up To		
Voice-Data	100 Mbps	100 Mbps	131.20	86.00
Voice-Data	1 Gbps	1 Gbps	231.20	86.00
Data Only	100 Mbps	100 Mbps	257.38	86.00
Data Only	1 Gbps	1 Gbps	357.38	86.00

All Term and Volume Plan rates are subject to a minimum monthly charge as prescribed under Section 3.4.E(6) preceding. Minimum monthly charge amounts are listed at Section 4.2.B following.

WHOLESALE WIRELINE BROADBAND INTERNET TRANSPORT SERVICE

**4.2.B WBITS Monthly Minimum Charge**

Term Commitment	Volume Commitments
	Level 1 1000+ Lines
3 Years	\$10,000

## INDIVIDUAL CASE BASIS (ICB) PRICING OPTION

ICB Pricing is a customer specific pricing methodology based on the following components:

- Capital investment required for the opportunity. It includes the pro-rata share of existing capital and new incremental capital dedicated to the opportunity.
- Related Expense to provide the service for the opportunity. It includes expense such as installation, repair, billing, monitoring, on-going maintenance and other business and operating expense.
- Projected revenue from the sale of service in this opportunity.

ICB Prices will only be offered if the prices are determined by Moundridge Telephone Company, Inc. to be financially feasible. In the event a customer requests service that Moundridge Telephone Company, Inc. deems financially unfeasible, Moundridge Telephone Company, Inc. will provide the rationale for its decision and discuss other potential service options before advising the customer of the unavailability of ICB Prices.

The following ICB price options conditions will apply:

The following rates reflect the additional volume discount of 20% which will apply as long as the customer maintains a volume of 1,000 lines.

### Effective Rate With Volume Discount

Option	Speed (Mbps) – Up To		Monthly Recurring Charges	Non-recurring Charge
	Upstream - Up To	Downstream - Up To		
Voice-Data	100 Mbps	100 Mbps	13.12	86.00
Voice-Data	1 Gbps	1 Gbps	18.12	86.00
Data Only	100 Mbps	100 Mbps	87.61	86.00
Data Only	1 Gbps	1 Gbps	92.61	86.00